



MLAZGAR
ASSOCIATES

Mlazgar.com



SENSORWORX[®]

SensorWorx.com

Wired



SENSORWORX®



sensorworx.com

THE NEW STANDARD IN LIGHTING CONTROLS

- Enhanced PIR & acoustic occupancy detection
- Designed in USA
- Manufactured exclusively in USA



SENSORWORX®



sensorworx.com

PRODUCT OVERVIEW

- Wall Switch Sensors
- Low Voltage Sensors
- Low Voltage Switches
- Power Packs
- Fixture Mount Sensors
- Line Voltage Sensors
- What's next!



RETROFIT FRIENDLY

- No neutral required
- Enclosure is 25%-40% shallower than other sensors,
- Reversible line & load wires



END USER PLEASING

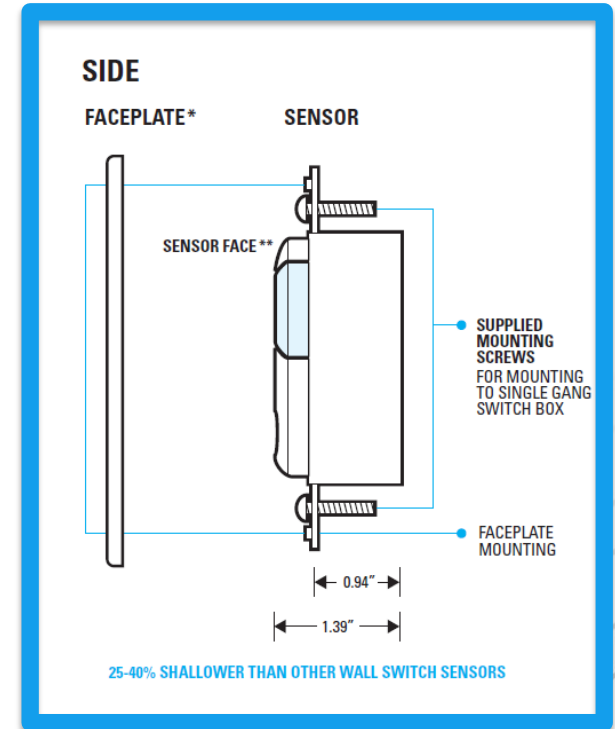
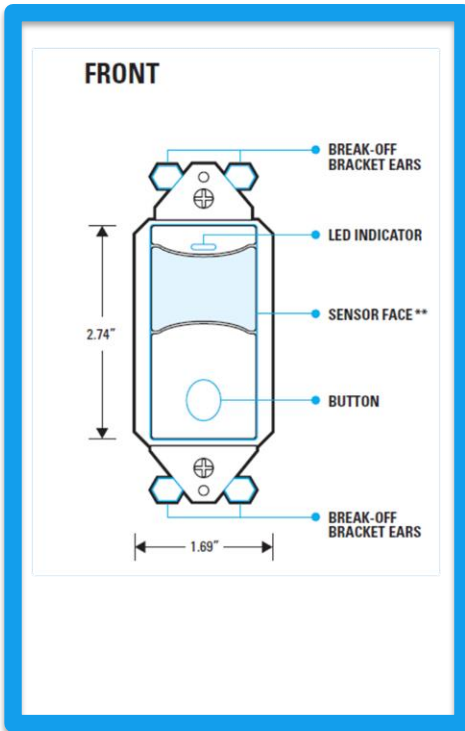
- Stylish flat profile and clean lines
- Intuitive easy-tap button
- Acoustic dual technology

MADE IN USA



PHYSICAL FEATURES

- Modern flat front look
- Enclosure is 25%-40% shallower than other sensors, (< 1" depth into wallbox)
- Self-grounding mounting strap
- Vandal resistant lens
- Sensor face snaps off to change colors





ORDERING INFO

	PRODUCT		DETECTION		# of POLES / DEFAULT OPERATION		COLOR*		PACKAGE COUNT	
SWX	Wall Switch Sensor	1	Passive Infrared (PIR)	0	1-Pole: Auto On	1	White	WH	Single Pack	Blank
			Passive Infrared (PIR) + Daylight ^{††}	1	2-Pole: Partial On [†]	2	Ivory	IV	10 Pack ^{**}	J10
			Passive Dual Technology (PIR/Acoustic)	2	1-Pole: Manual On (Vacancy)	3	Light Almond	LA		
			Passive Dual Technology (PIR/Acoustic) + Daylight ^{††}	3	1-Pole: Vacancy Only (CA Title 20/24)	4				

^{††} DAYLIGHT DETECTION AVAILABLE ON UNITS THAT
DEFAULT TO AUTO-ON OR PARTIAL ON

*WALLPLATE NOT INCLUDED

** THE CONTRACTOR PACK OPTION (-J10)
REDUCES JOB SITE WASTE AND INVENTORY TIME

COMMON MODELS #s

SWX-101-WH	Wall Switch Sensor – PIR, Auto On, White
SWX-103-WH	Wall Switch Sensor – PIR, Manual On, White
SWX-121-WH	Wall Switch Sensor – Dual Tech., Auto On, White
SWX-123-WH	Wall Switch Sensor – Dual Tech., Manual On, White



PARTIAL ON OPERATIONAL MODE

- Meets the new Partial On operational mode of ASHRAE 90.1 (2016) & IECC (2015)
 - Automatic On to 50% (configurable)
 - User can raise/lower light level manually
 - Auto Off
- Vacancy Mode (Manual On) also available



CONFIGURABLE DIMMING PARAMETERS

- High/Low Trims
- Turn on Levels (Last User Setting, 100%, 50%, Custom Level)
- Curve Types (Linear, Logarithmic, Square Law)
- Dimming Fade On/Off Times

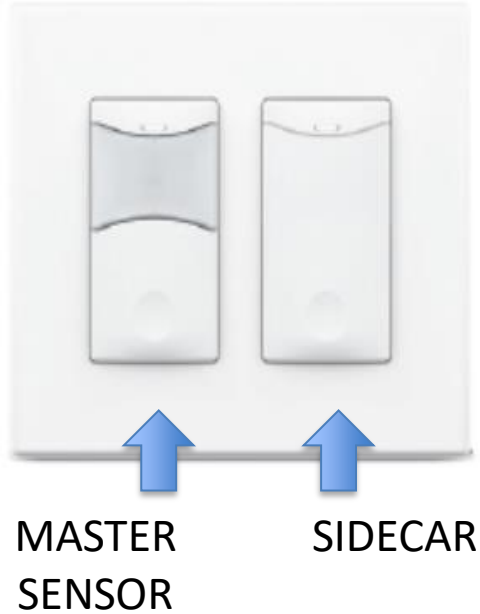


APPLICATION

- Standalone 0-10V dimmer that powers from & switches 120/277VAC
- Provides full raise/lower user dimming control
- Multiway switching configurations with common 3-way switches

FEATURES

- Integrated 0-10V dimming
- 5 stacked LEDs showing dim level
- Decorator style fits common wall plates
- Less than 1" depth in wall
- Configurable dimming parameters (h/l trim, turn on level, etc.)



Introducing the **SIDECAR™ KIT**... a new solution to an old application

- MASTER SENSOR shares occupancy information with SIDECAR
- Each unit can be configured separately (time delay, operational mode)



SIDECAR™ APPLICATIONS **BATHROOM LIGHTS & FAN**



INBOARD/OUTBOARD SWITCH REPLACEMENT



APPLICATION

- Standalone timer that powers from & switches 120/277VAC

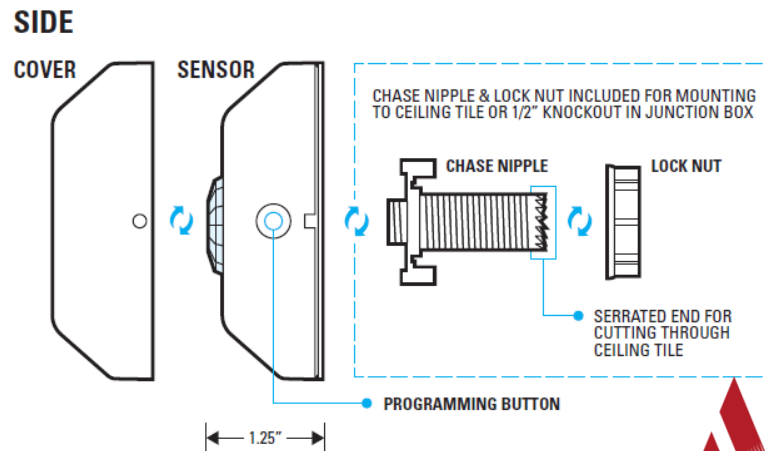
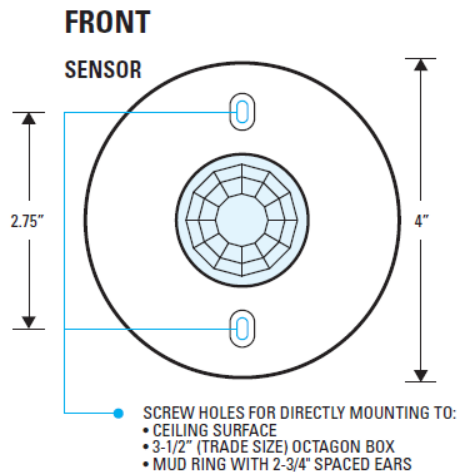
FEATURES

- 5 LED Time Level Indicators
- Configurable Settings including blink warning!



LOW VOLTAGE CEILING MOUNT SENSOR

- Small, large and motion lens options
- Reduced diameter and profile
- Includes quick mount chase nipple

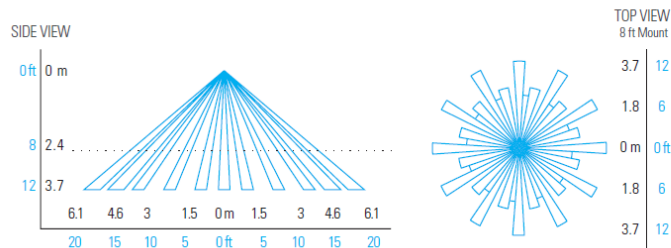




COVERAGE

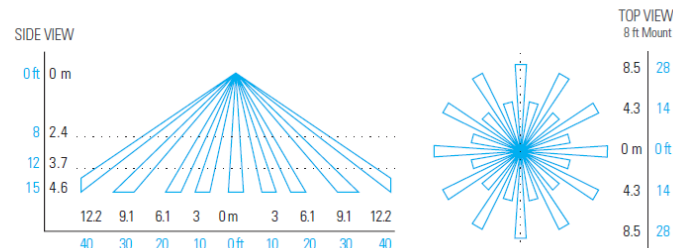
SMALL MOTION 360°

- Best choice for detection of small motions from sitting occupants (e.g., hand motion)
- ~500 ft² of coverage



LARGE MOTION 360°

- Best choice for detection of larger motion (e.g., walking)
- ~2000 ft² of coverage
- Longest segment of coverage pattern aligns with screw hole axis on sensor (shown as dotted line on Top View diagram below)



ORDERING INFO

SAMPLE MODEL # SWX-222-1

	PRODUCT	DETECTION	COVERAGE	VOLTAGE	OPTIONS					
SWX	Ceiling Mount Sensor	2	Passive Infrared (PIR) Passive Infrared (PIR) + Photocell Passive Dual Technology (PIR/Acoustic) Passive Dual Technology (PIR/Acoustic) + Photocell	0 1 2 3	Small Motion 360° Large Motion 360°	1 2	Low Voltage	1	Isolated Auxiliary Relay	AR





LOW VOLTAGE WIDE VIEW & HALLWAY SENSOR

- Excellent small motion detection for classrooms, open areas, & offices
- Effective in pairs for hallways
- Five mounting methods including quick mount chase nipple



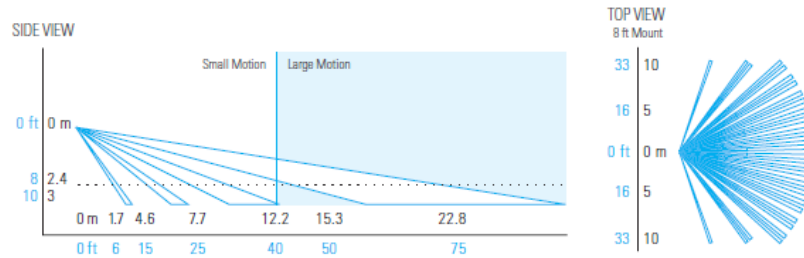
LOW VOLTAGE WIDE VIEW SENSOR

- Wide View is excellent small motion detection for classrooms, open areas, & offices
- Effective in pairs for hallways
- Five mounting methods including quick mount chase nipple

COVERAGE PATTERN

WIDE VIEW 120°

- Small motion (e.g. hand movements) detection up to 40 ft (12.19 m)
- Large motion (e.g. walking) detection up to 70 ft (21.34 m), perfect for hallway applications
- Designed for 8 to 12 ft (2.44 to 3.66 m) high mounting



ORDERING INFO

SAMPLE MODEL # SWX-421-1

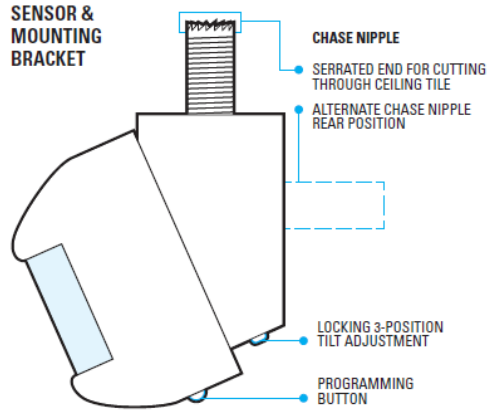
	PRODUCT		DETECTION		COVERAGE		VOLTAGE	
SWX	Wide View Sensor	4	Passive Infrared (PIR) Passive Dual Technology (PIR/Acoustic)	0 2	120° Wide View	1	Low Voltage	1

CORNER MOUNT / WIDE VIEW SENSOR

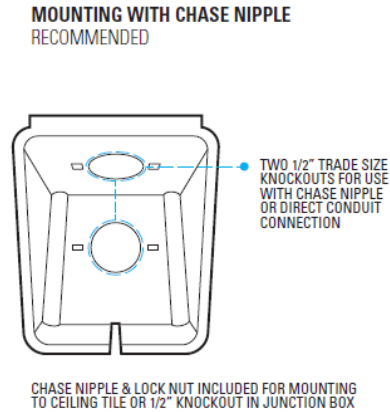


INSTALLATION OPTIONS

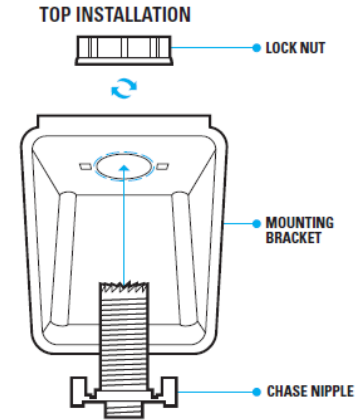
SENSOR & MOUNTING BRACKET



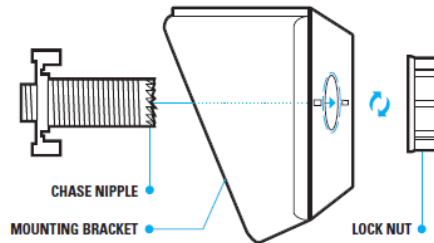
MOUNTING WITH CHASE NIPPLE RECOMMENDED



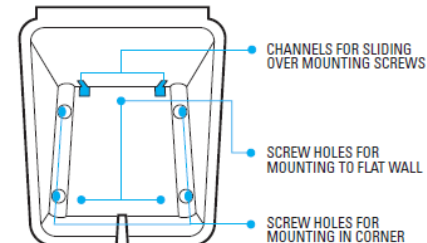
TOP INSTALLATION



REAR INSTALLATION



ADDITIONAL MOUNTING METHODS





LOW VOLTAGE DAYLIGHT HARVESTING

- Configurable set-point, high/low trims
- Standalone solution or together with occupancy sensors
- Same mechanical features as occupancy sensors
 - Reduced diameter and profile
 - Includes quick mount chase nipple



FEATURES

- Intuitive button, “elbow-press capable”
- LED feedback
- Decorator style
- Less than 1” depth in wall
- Locator / Pilot LED with adjustable color (white/blue)



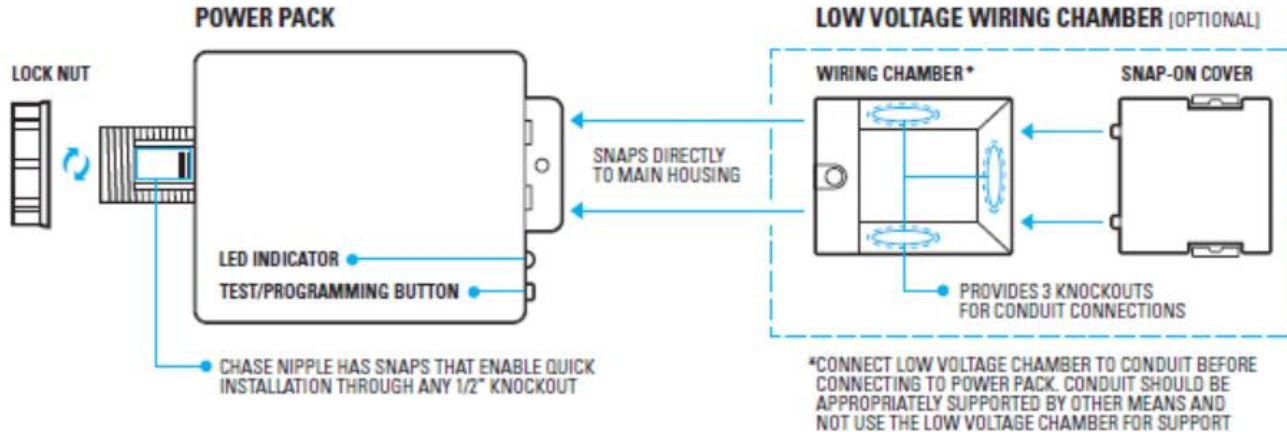
FEATURES

- Integrated 0-10V dimming
- 5 stacked LEDs showing dim level
- Quiet buttons with LED feedback
- Decorator style
- Less than 1" depth in wall
- Configurable dimming parameters (high/low trim, turn on level, etc.)



CONTRACTOR FRIENDLY FEATURES

- Quick mount chase nipple with snaps
- Test/Programming Button – press and hold to toggle relay
- LED Indicator
- Included plastic nut is easy to hand tighten
- Optional accessory low voltage wiring chamber “doghouse”





LOW VOLTAGE SENSOR + MANUAL CONTROL

- Option adds an input wire from a low voltage switch and a relay status wire
- With a SWX-801 Switch
 - Vacancy (Manual On) operation
 - Basic occupancy operation (Auto-On) with manual switch override
- With a SWX-803 dimmer switch enables
 - Partial On (e.g. Auto-On to 50%) operation
 - Adds full raise/lower dimming control\



PARTIAL OFF (Stairwells)

- Lighting is at the full bright level when occupied and dropped to the 50% level during unoccupied periods.

PARTIAL ON

- Unit will turn on connected 0-10V lighting to 50% (level is user configurable) once initially triggered from an occupancy sensor or manual switch.
- The unit will then step lighting up to 100% (level is user configurable) when the connected switch is pressed.
- Lighting will turn off if another switch press is detected or when all connected sensors go to their unoccupied state.



LINE VOLTAGE SENSORS

- Self-contained units that both power themselves from line power and switch line power
- 800W/1200W @ 120/277VAC, designed for LED loads

	PRODUCT		DETECTION		COVERAGE		VOLTAGE		ENVIRONMENT	
SWX	Ceiling Mount Sensor	-2	PIR	0	Small Motion / Standard Range	1	MVOLT (120/277 VAC)	-2	Standard Environment	Blank
			PIR + Daylight	1	Large Motion / Extended Range	2			High Humidity Environment	-HE
			Dual Tech (PIR + Acoustic)	2						
			Dual Tech + Daylight (PIR + Acoustic + Daylight)	3						
SWX	Corner/Wall Mount	4	PIR	0	120° Wide View	1	MVOLT (120/277 VAC)	2	Standard Environment	Blank
			PIR + Daylight	1	Hallway*	2			High Humidity Environment	-HE
			Dual Tech (PIR + Acoustic)	2						
			Dual Tech + Daylight (PIR + Acoustic + Daylight)	3						

* Dual Tech detection options not available for units with the Hallway coverage option.



CONTRACTOR FRIENDLY FEATURES

- Universal Lens works for High Bay, Low Bay, & Aisleway Applications
- Greater detection range & density than leading high bay and aisleway sensors
- Snap-in chase nipple makes installation quick
- Electronically timed switching designed for LED fixture control
- Integrated bracket drops sensor below bottom of fixture



Photocell Operation (SWX-511)

- On / Off depending on ambient light

Humid Environment Rating (-HE)

- Corrosion protected electronics

High/Low/Off Operation (-HL)

- Adds 0-10V dimming output
- Lights drop to low setting (30%) after primary occupancy timeout expires
- Lights turn off after secondary timeout expires



SENSORWORX Wireless Retrofit Controls (Phase 1)



BATTERY POWERED SENSORS



**WALL SWITCH LOAD CONTROLLER
- no neutral, no minimum load**



SENSORWORX Wireless Retrofit Controls (Phase 2)



WIRELESS DIMMING POWER PACK



WIRELESS REMOTE DIMMER

THANK YOU!

